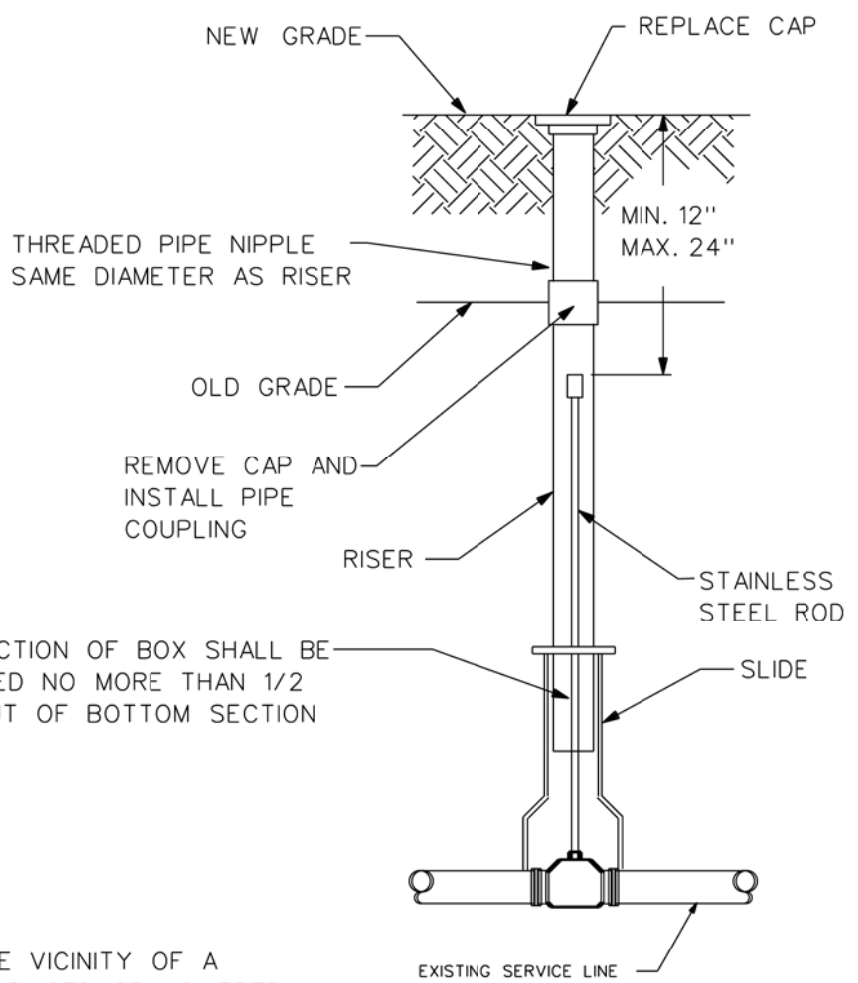


NORMAL  
INSTALLATION



STOP BOX RAISED  
TO NEW GRADE

TOP SECTION OF BOX SHALL BE EXTENDED NO MORE THAN 1/2 WAY OUT OF BOTTOM SECTION OF BOX

WHEN THE GRADE IS CHANGED IN THE VICINITY OF A STOP BOX, THE STOP BOX MUST BE RAISED OR LOWERED TO THE NEW GRADE. RAISING THE STOP BOX IS ACCOMPLISHED BY REMOVING THE CAP, INSTALLING A PIPE COUPLING AND A THREADED NIPPLE OF THE APPROPRIATE LENGTH AND DIAMETER AND REPLACING THE CAP. THE RISER MUST BE INTEGRAL AND CONTINUOUS. TO LOWER THE STOP BOX. IT WILL BE NECESSARY TO CUT AND RETHREAD THE RISER PIPE AT THE NEW GRADE AND REPLACE THE CAP. ROD MUST BE LOWERED IN PROPER PROPORTION TO RISER PIPE.

ALL STOP BOX EXTENSIONS SHALL BE SECURED IN SUCH A WAY SO THAT IE BECOMES ONE PERMANENT PIPE, SUCH AS WELDING, RED LOCTITE OR SET SCREWS.

SCALE: NONE
DATE: 07-01-2013

URBANDALE WATER  
UTILITY

ADJUSTING STOP BOX  
TO NEW GRADE  
(ARCH PATTERN BOX)